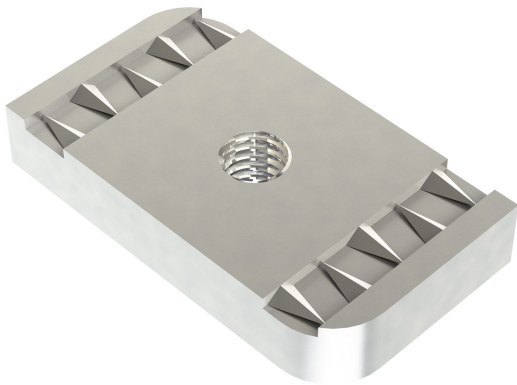


PRODUCT CODE: CS22
CHANNEL SPRING NUT



DESCRIPTION

M10 Plain Spring Nut

FINISH

BZP

MATERIAL

Steel

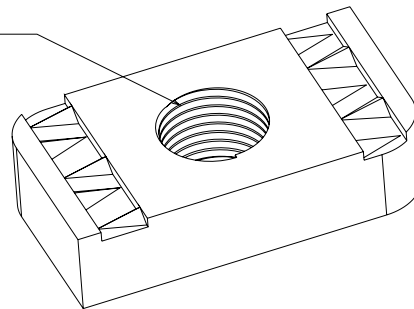
PACKAGING

Packed in qty 100

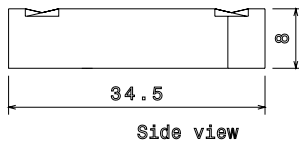
ADDITIONAL NOTES

Produced to comply with the requirements of BS6946 Metal Channel Support Systems
For use with 21mm and 41mm depth channel
Compliant to LU Standard 1-085 (for use on surface & sub-surface locations)

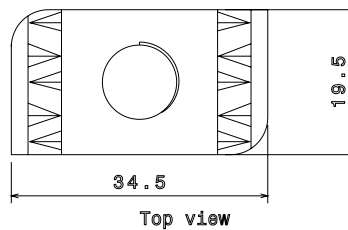
M10 Thread



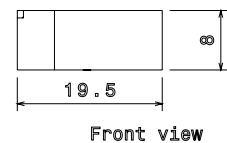
Isometric view



Side view



Top view



Front view